

WideTEK[®]

Accessories

36", 48" 60" Stand

Ergonomic floorstands with
adjustable paper catch

***Three different floorstands for all CCD
and CIS WideTEK sheetfeed scanners.***



© 09_2022 / EN

WideTEK Stand

The ergonomic WideTEK® floorstands come in 36", 48" and 60" widths. They support all CCD and CIS scanners of matching widths, including the WT36DS.

They are designed to carry much more weight than the weight of the scanner alone and they are also very sturdy. The newest versions of the floorstands have four wheels, for easy movement of the scanner. Each the wheels has a brake to ensure a safe position.

The paper catch can be mounted at three different heights, without a tool. In addition, the catch can be mounted off center, to allow a greater input area in the back or in the front.

Features of the WideTEK Floorstand

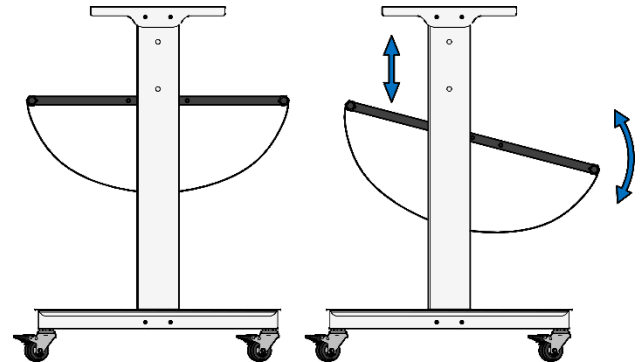
- WT36 STAND for WT36, WT36C, WT36CL, WT36DS
- WT48 STAND for WT48, WT48C, WT48CL
- WT60 STAND for WT60CL
- Lightweight but sturdy, all aluminum design
- Four wheels, all with brakes
- Flexible paper catch position
- Washable catch fabrics
- Mounts very easily, only one screw size used. Tool included.



WT36 Stand with paper catch



Three stands for all WideTEK sheetfeed scanners.



Catch is adjustable vertically and horizontally

TECHNICAL DATA

Dimensions WT36 STAND	(W/D/H) 1060/560/852 mm, 42/22/33.5 inch
Weight WT36 STAND	18 kg / 40 lbs.
Dimensions WT48 STAND	(W/D/H) 1370/560/852 mm, 54/22/33.5 inch
Weight WT48 STAND	20 kg / 44 lbs.
Dimensions WT60 STAND	(W/D/H) 1650/560/852 mm, 65/22/33.5 inch
Weight WT60 STAND	22 kg / 49lbs.

IMAGE ACCESS GMBH

Hatzfelder Str. 161-163
42281 Wuppertal, Germany
Phone: +49 202 27058-0

www.imageaccess.de

IMAGE ACCESS LP

400 N. Belvedere Drive
Gallatin, TN 37066, USA
Phone: +1 (615) 675-4141

www.imageaccess.us

